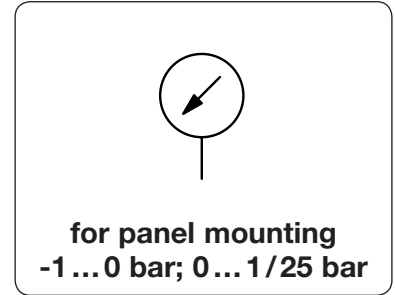


# Pressure Gauge for Panel Mounting

ME / MF

<b>Description</b>	Bourdon tube gauge, dust-protected, splash-proof, antirust, oil-resistant and silicone-free.		
<b>Media</b>	all media compliant with brass, e.g. compressed air, non-corrosive gases or fluids		
<b>Scale</b>	white background with black bar scale and red psi scale		
<b>Indicator accuracy</b>	1.6% FS on gauge Ø 63 mm 2.5% FS on gauge Ø 40 mm and Ø 50 mm		
<b>Threaded connection</b>	G½ or G¼, on central back		
<b>Temperature range</b>	0 °C to 60 °C / 32 °F to 140 °F, for appropriately conditioned compressed air down to -20 °C / -4 °F		
<b>Material</b>	Housing: ABS plastic Lens: acrylic glass	Connection/Inner parts: brass	



Dimensions				Principle	Indicator accuracy	Display range	Order number	Order number
A	B	C	D	B: Bourdon tube	% FS	bar	G½	G¼
mm	mm	mm	mm	C: capsule type				

Gauge with mounting flange							chrome-plated	ME	ME
40	61	51	46	B	2.5	0 ... 2.5 0 ... 4 0 ... 6 0 ... 10		ME4001-02 ME4001-04 ME4001-06 ME4001-10	
50	71	61	52	B	2.5	0 ... 6 0 ... 10 0 ... 16			ME5002-06 ME5002-10 ME5002-16
63	85	75	53	B	1.6	-1 ... 0 vac. 0 ... 4 0 ... 6 0 ... 10 0 ... 16 0 ... 25		ME6302-00	ME6302-04 ME6302-06 ME6302-10 ME6302-16 ME6302-25

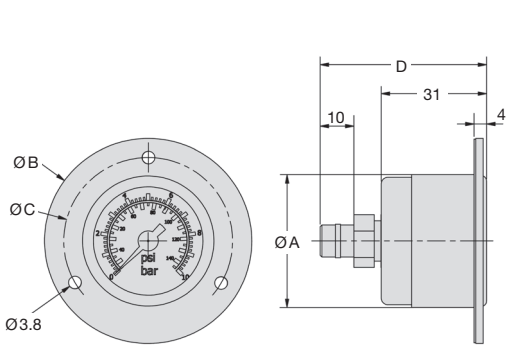


ME5002-10

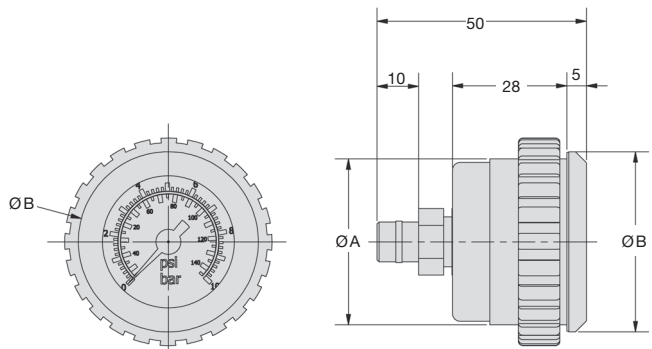
Gauge with triangular bezel							chrome-plated with locknut	MF	MF
40	43	-	-	B	2.5	0 ... 1 0 ... 2.5 0 ... 4 0 ... 6 0 ... 10		MF4001-01 MF4001-02 MF4001-04 MF4001-06 MF4001-10	
50	55	-	-	B	2.5	-1 ... 0 vac. 0 ... 6 0 ... 10 0 ... 16			MF5002-00 MF5002-06 MF5002-10 MF5002-16
63	68	-	-	B C B	1.6	-1 ... 0 vac. 0 ... 0.25 0 ... 4 0 ... 6 0 ... 10 0 ... 16 0 ... 25			MF6302-00 MF6302-C2 MF6302-04 MF6302-06 MF6302-10 MF6302-16 MF6302-25



MF5002-10



ME  
gauge with mounting flange



MF  
gauge with triangular bezel

PDF CAD  
www.aircom.net



Order example:  
ME4001-02

